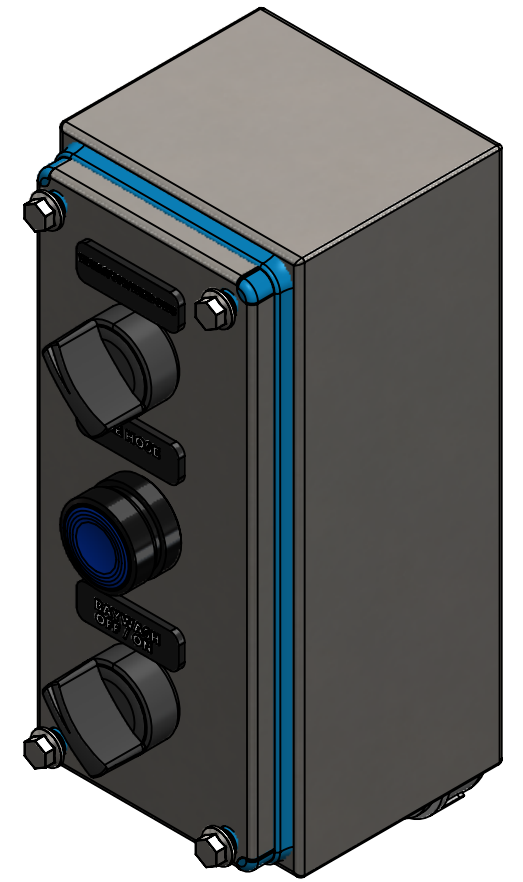
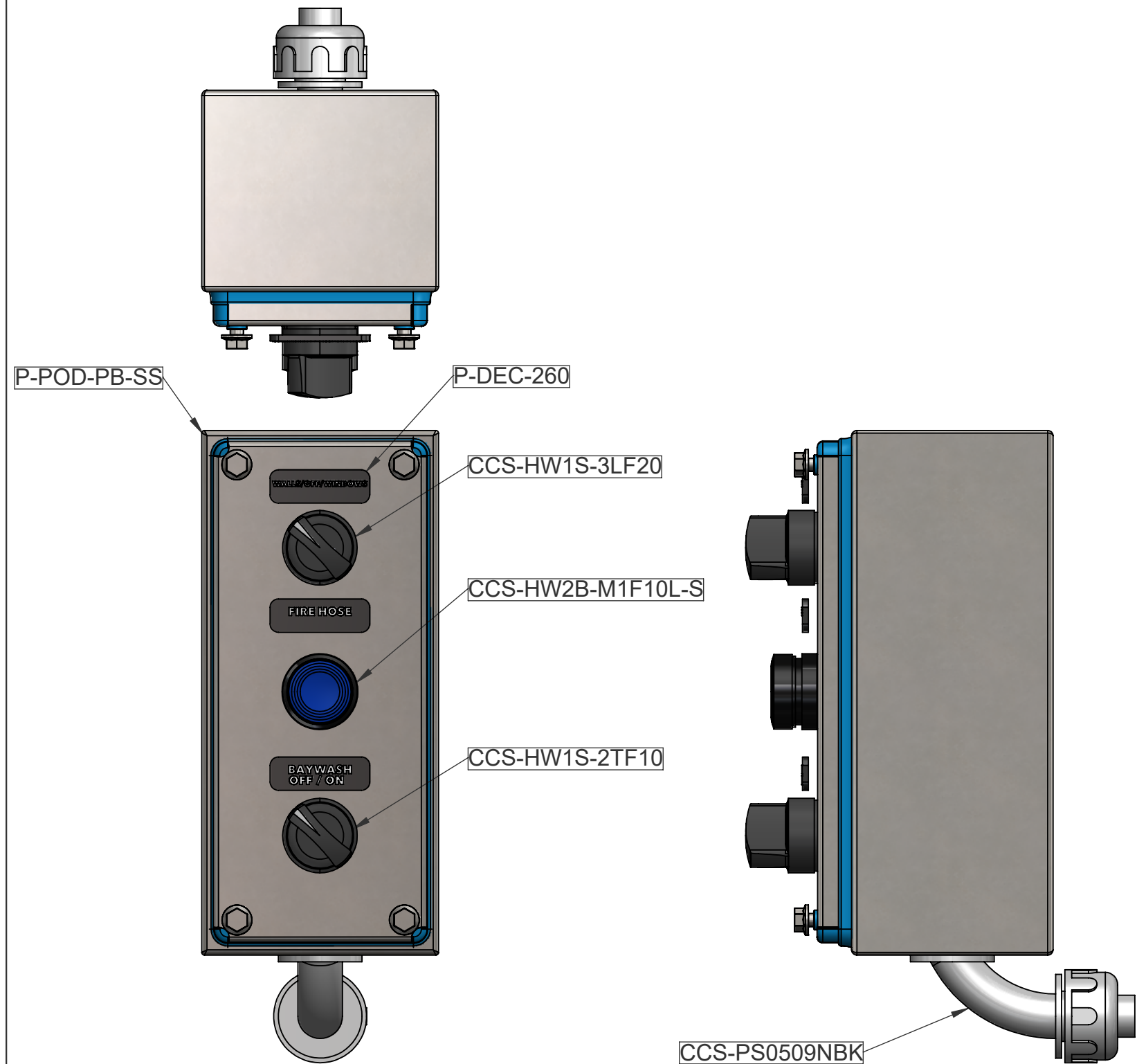
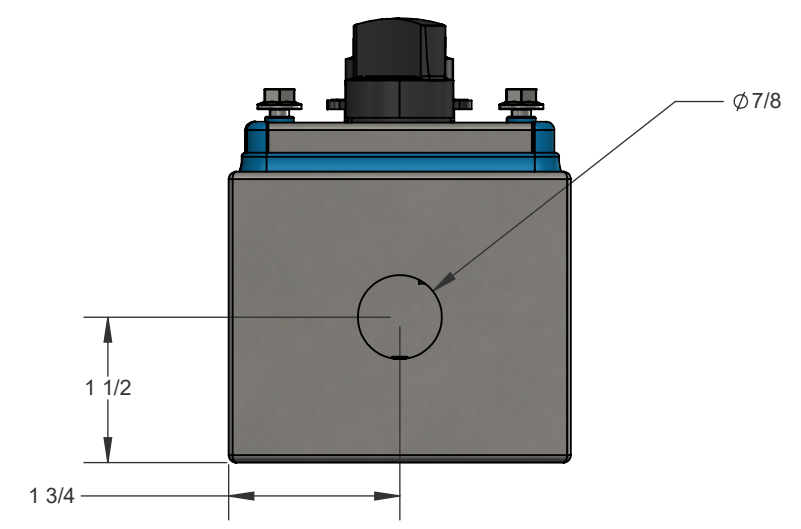


**NOTE:**  
IF SHIPPING AS PART OF RETRO FIT KIT SHIP ALL COMPONENTS LOOSE



BOTTOM VIEW  
DRILL HOLE IN CENTER



QTY.	PART NUMBER	DESCRIPTION
1	CCS-HW1S-2TF10	2 POSITION SW,KNOB, 1 N/O
1	CCS-HW1S-3LF20	3 POSITION SW, LONG LEVER, 2 N/O
1	CCS-HW2B-M1F10L-S	SWITCH, PB. FLUSH-BLUE
1	CCS-PS0509NBK	HUBBELL MULTI-POSITION SWIVELLOK 1/2" CONDUIT FITTING
1	P-POD-PB-SS	PUSH BUTTON ENCLOSURE 3 HOLE CUTOUT STAINLESS STEEL
1	P-DEC-260	MAINTENANCE POD PUSH BUTTON DECALS

<p>581 Ottawa Ave. Holland, MI 49423 616-494-0771-tommycarwash.com</p>		PART NUMBER: <b>CCS-PODPBSS-A</b>		REV. -
		DESCRIPTION: <b>STAINLESS STEEL PUSH BUTTON STATION FOR MAINTENANCE POD</b>		
<p>DIMENSIONS: UNLESS STATED OTHERWISE: ALL DIMENSIONS ARE IN INCHES TOLERANCES: X: ± 0.1 XX: ± 0.01 XXX: ± 0.005 ANGLE: ± 0.5</p>		MATERIAL: VARIES	FINISH: -	
		DRAWN BY: DF	DATE: 11/18/2021	
<p>CONFIDENTIAL WARNING: THIS SHEET CONTAINS AND CONSTITUTES CONFIDENTIAL INFORMATION, IMAGES AND TRADE SECRETS OF TOMMY CAR WASH SYSTEMS. ANY UNAUTHORIZED USE OR PORTION THEREOF, IS STRICTLY PROHIBITED. THIS WORK IS THE EXCLUSIVE PROPERTY OF TOMMY CAR WASH SYSTEMS. ALL RIGHTS RESERVED</p>		APPROVED BY: DB	DATE: 11/19/2021	
		SCALE: 1:2	SHEET 1 OF 1	
	INITIAL RELEASE NO. REVISION/ISSUE	DATE		