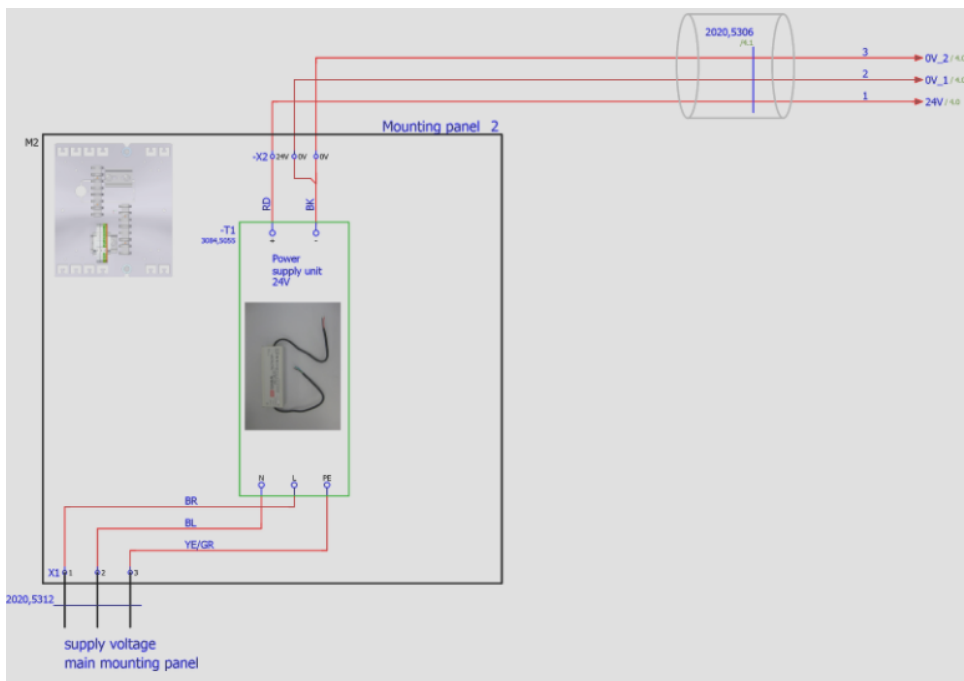
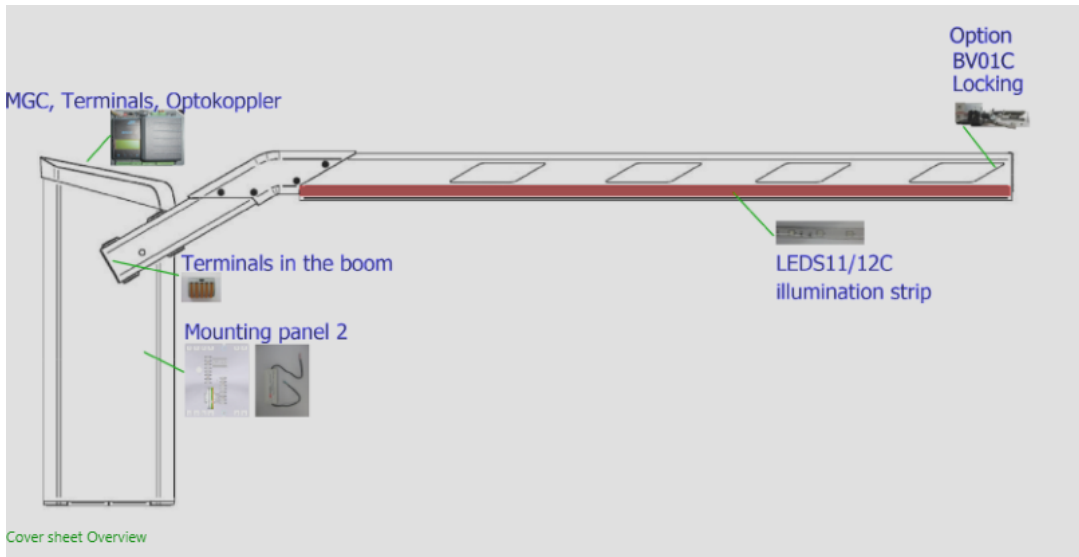
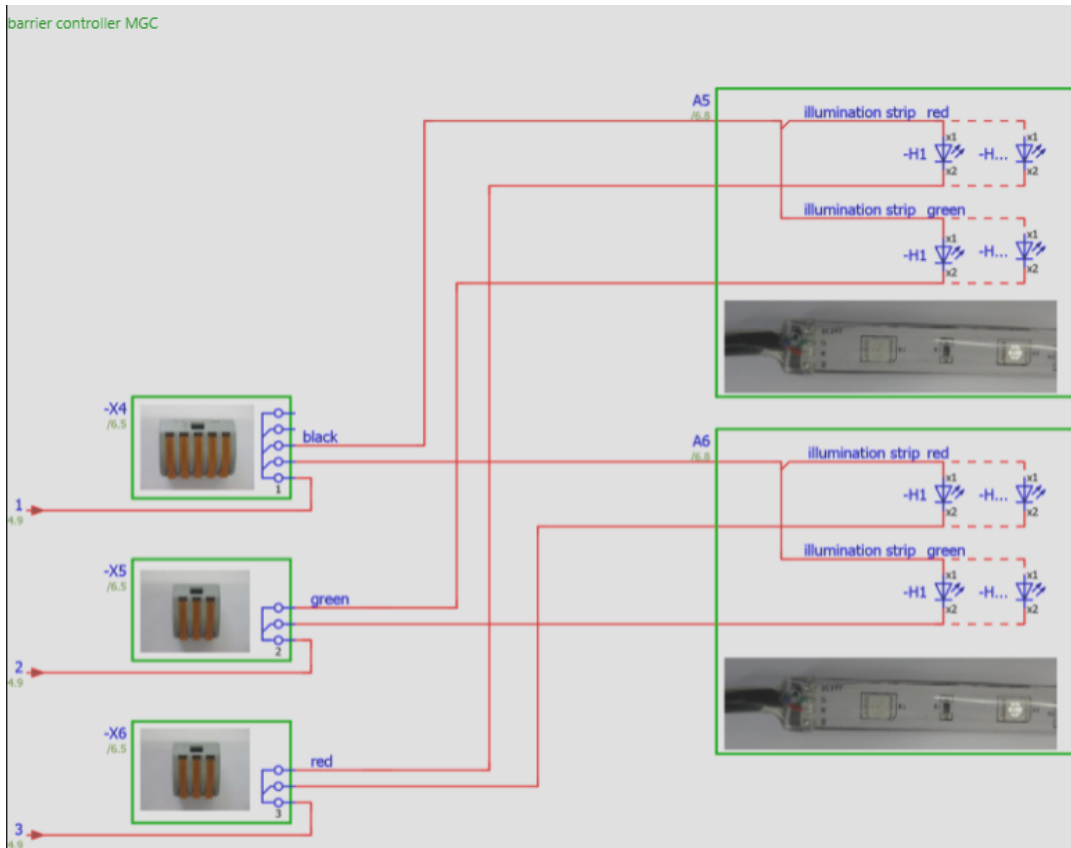
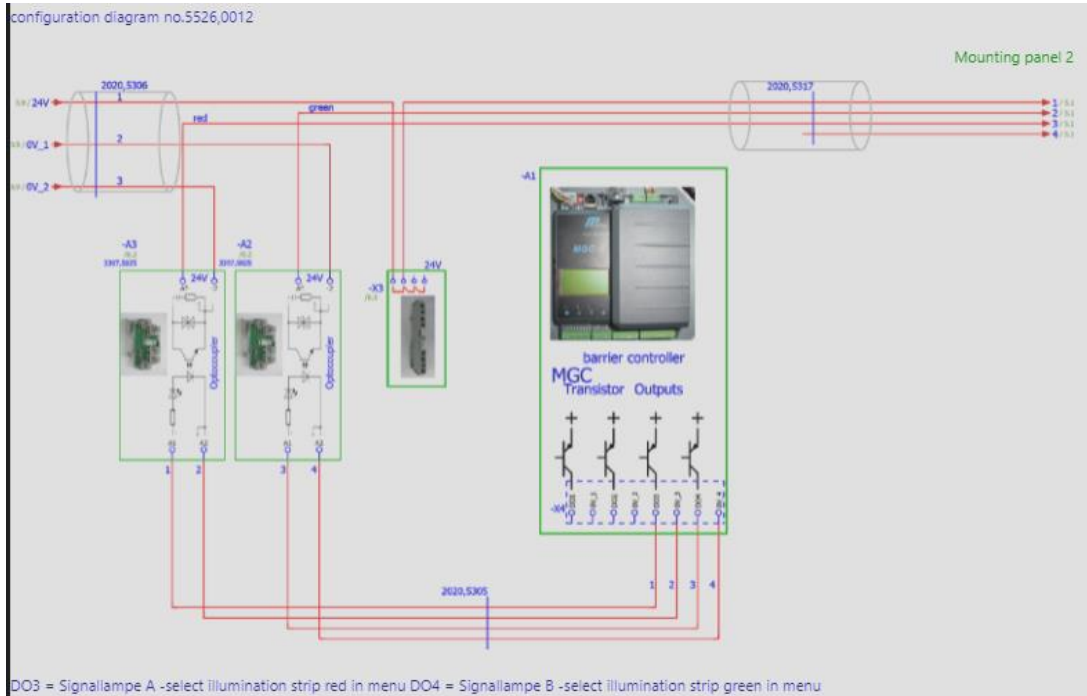
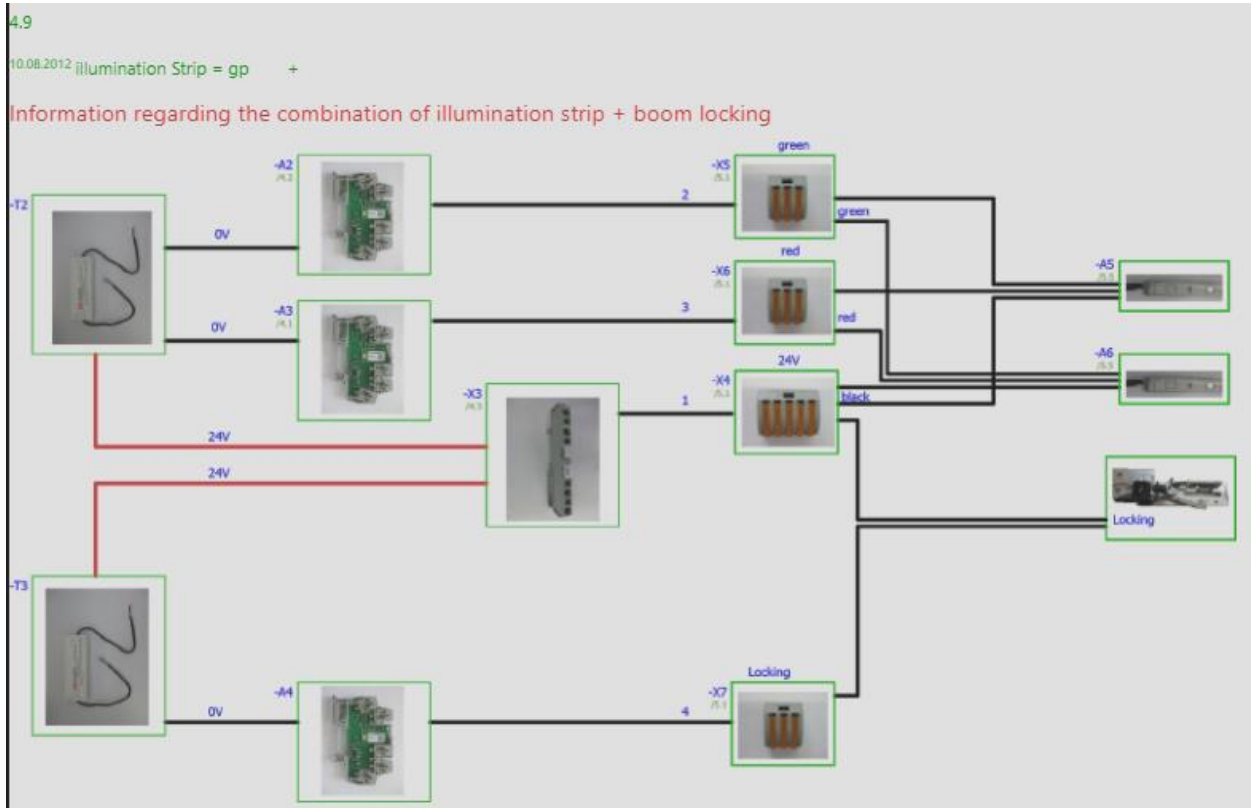


| | |
|------------|--|
| Job number | 5526,0013 |
| Type | MicroDrive (UL) USA |
| | MHTM - MicroDrive - illumination strip red/green LEDS11/12C |
| | Number of pages 6 |







Attention:

The 24V outputs of both powersupplies must be connected at terminal X3. The 0V outputs of both power supplies must not be connected.

gp10.08.2012 Information regarding

combination